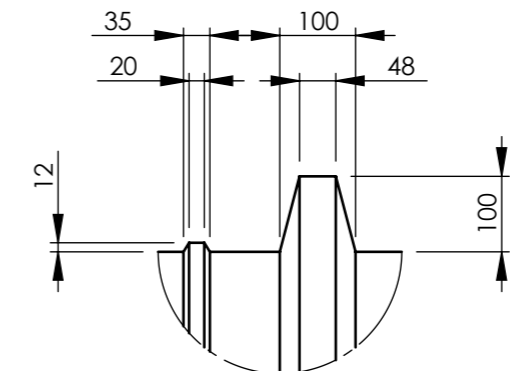
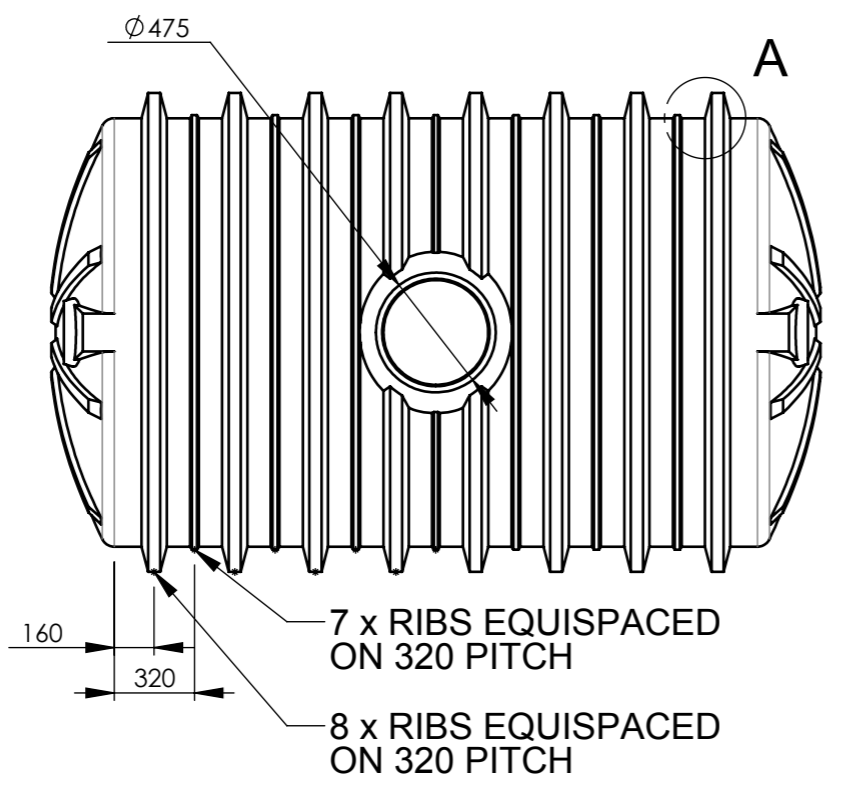
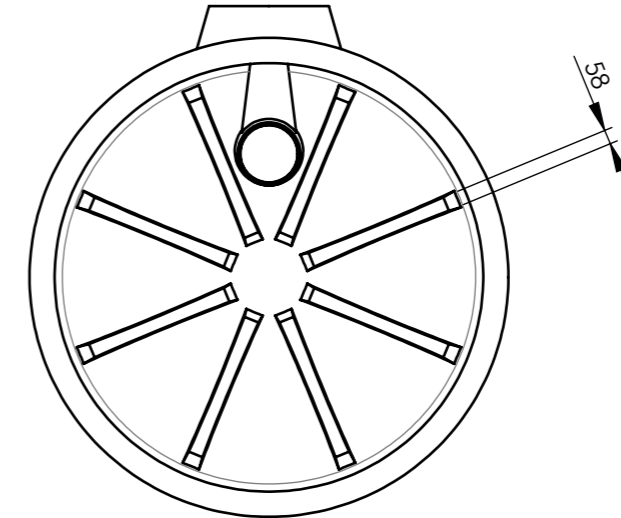
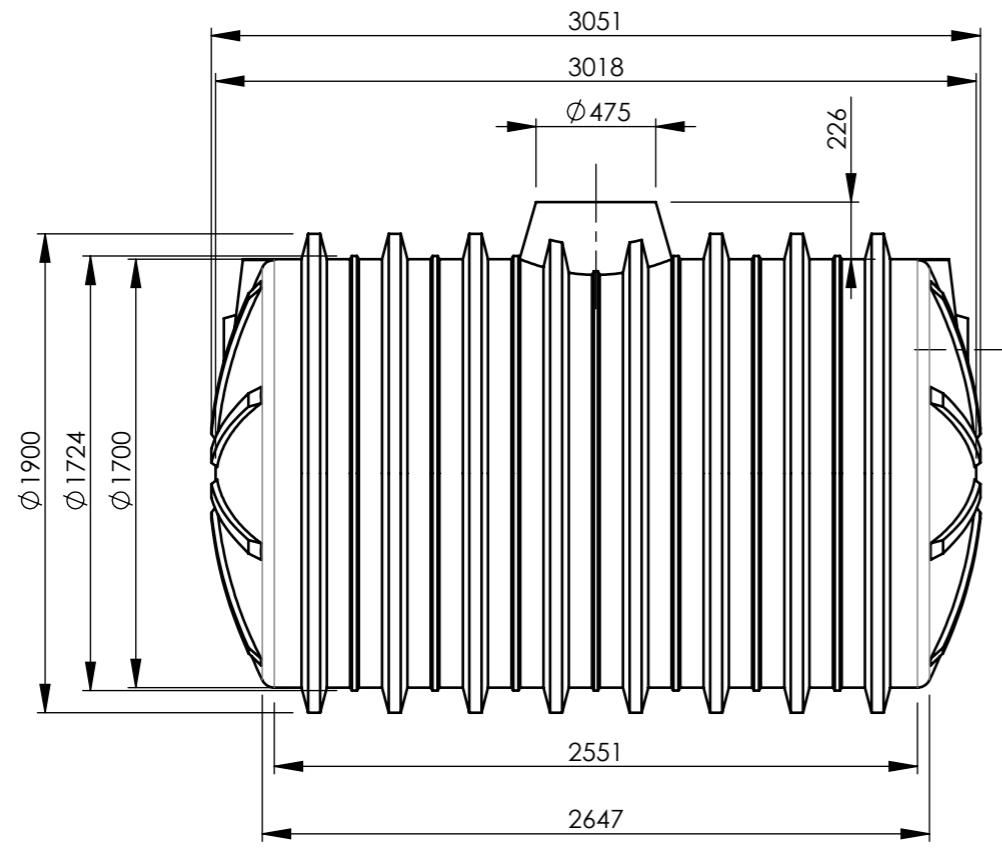


USED ON	NEXT HIGHER ASSEMBLY



REV	DRAWN	DATE	PARTICULARS	ECP No

SCALE:  
**1:30 ON A3**

**AFRICA  
DESIGN SERVICES**  
TEL: 082 925 7996

DO NOT SCALE, USE DIMENSIONS.  
ALL DIMENSIONS ARE IN mm

RESTRICTED

FINAL APPR		
APPROVED		
APPROVED		
CHECKED		
DRAWN	HS	16/03/11

MATL: LLDPE 304 kg (DENSITY = 939 kg/m<sup>3</sup>)

TITLE: **6000L CONSERVANCY TANK**

SUB TITLE: DETAIL DRAWING

CAD No: 00330-01 DRAWING No: **00330-01**

1/1 Rev: -